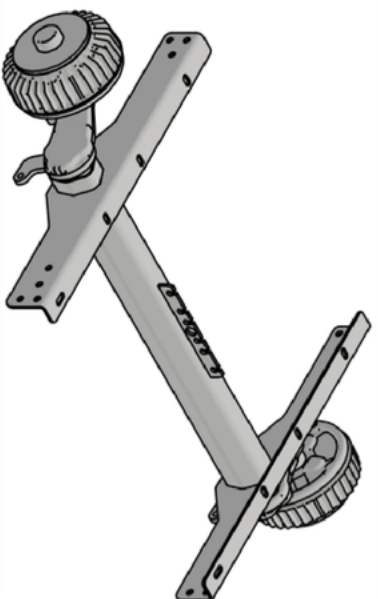


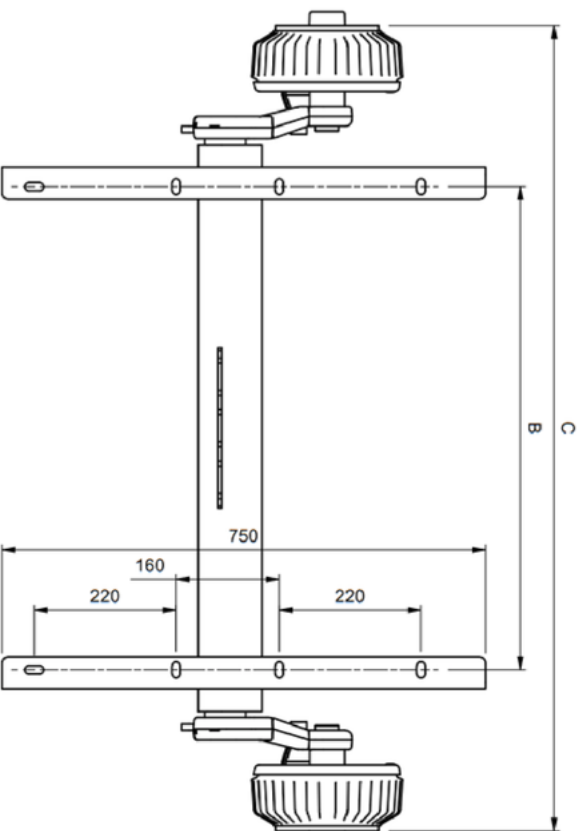
Auswahlhilfe Achsen





Table

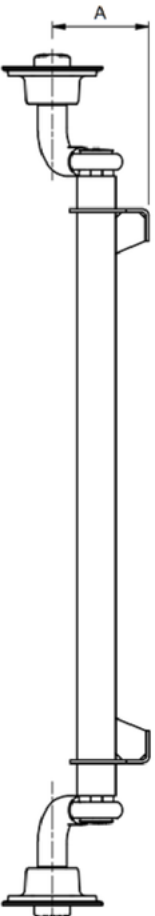
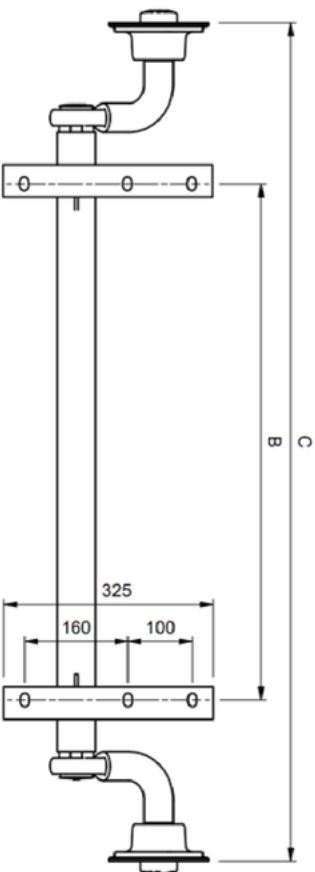
BC - Artikelcode	BC - Artikelcode omschrijving	Itemcode lev.	Wiel aansluiting	A - Trommel lot pad - mm	B - Padmaat - mm	C - Flensmaat - mm
A-150-14-126-AL-01	As - 1500kg - 1.4m - 126mm - AL-KO Basic - 112x5	190125	112x5	126mm	750mm	1250mm
A-150-14-153-AL-11	As - 1500kg - 1.4m - 153mm - AL-KO Basic - 112x5	1909293	112x5	153mm	750mm	1250mm
A-150-14-188-AL-11	As - 1500kg - 1.4m - 188mm - AL-KO Basic - 112x5	1909127	112x5	188mm	750mm	1250mm
A-150-15-126-AL-01	As - 1500kg - 1.5m - 126mm - AL-KO Basic - 112x5	1905771	112x5	126mm	800mm	1300mm
A-150-15-153-AL-01	As - 1500kg - 1.5m - 153mm - AL-KO Basic - 112x5	1905777	112x5	153mm	800mm	1300mm
A-150-15-188-AL-01	As - 1500kg - 1.5m - 188mm - AL-KO Basic - 112x5	1905772	112x5	188mm	800mm	1300mm
A-150-16-126-AL-01	As - 1500kg - 1.6m - 126mm - AL-KO Basic - 112x5	1905770	112x5	126mm	900mm	1400mm
A-150-16-153-AL-01	As - 1500kg - 1.6m - 153mm - AL-KO Basic - 112x5	1905787	112x5	153mm	900mm	1400mm
A-150-16-188-AL-01	As - 1500kg - 1.6m - 188mm - AL-KO Basic - 112x5	1905792	112x5	188mm	900mm	1400mm
A-150-18-126-AL-01	As - 1500kg - 1.8m - 126mm - AL-KO Basic - 112x5	1905769	112x5	126mm	1100mm	1600mm
A-150-18-153-AL-01	As - 1500kg - 1.8m - 153mm - AL-KO Basic - 112x5	1905789	112x5	153mm	1100mm	1600mm
A-150-18-188-AL-01	As - 1500kg - 1.8m - 188mm - AL-KO Basic - 112x5	1909101	112x5	188mm	1100mm	1600mm
A-150-20-126-AL-01	As - 1500kg - 2.0m - 126mm - AL-KO Basic - 112x5	1905779	112x5	126mm	1300mm	1800mm
A-150-20-153-AL-01	As - 1500kg - 2.0m - 153mm - AL-KO Basic - 112x5	1905788	112x5	153mm	1300mm	1800mm
A-150-20-188-AL-01	As - 1500kg - 2.0m - 188mm - AL-KO Basic - 112x5	1909102	112x5	188mm	1300mm	1800mm
A-150-22-126-AL-01	As - 1500kg - 2.2m - 126mm - AL-KO Basic - 112x5	1905778	112x5	126mm	1500mm	2000mm
A-150-22-153-AL-01	As - 1500kg - 2.2m - 153mm - AL-KO Basic - 112x5	1905794	112x5	153mm	1500mm	2000mm
A-150-22-188-AL-01	As - 1500kg - 2.2m - 188mm - AL-KO Basic - 112x5	1909103	112x5	188mm	1500mm	2000mm



<p>Third Angle Projection</p>	<p>NEU-EN 10162 Cold Rolled Steel Sections Tolerances on shape and dimensions</p>	<p>ISO 2768-mK General Tolerances for Dimensions and Geometrical Product Specifications Geometry unless otherwise specified</p>	<p>ISO 14405 Dimensional tolerancing</p>	<p>ISO 1461 Specifications for Hot-Dip Galvanized Coatings</p>
<p>Part number: A-150-00-000-AL-00</p>				
<p>Part name: Hoofdarmen ALKO assen</p>				
<p>Scale: Released</p>				
<p>Revision: 01</p>				
<p>Format: A3</p>				

Drawn by: Syen Decabooter
 Creation date: 5/12/2022
 Old Part No.:
 Eduard's Trailer Factory - Antoine César Baccouretstraat 11 - 3820 Lommel België - tel: +32 (0)14820115 - www.aanhangermagasin-eduard.be - engineering@eduard.nl

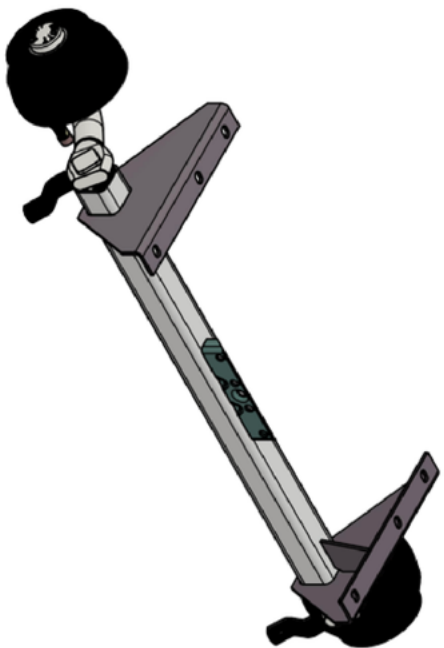
Eduard



Table

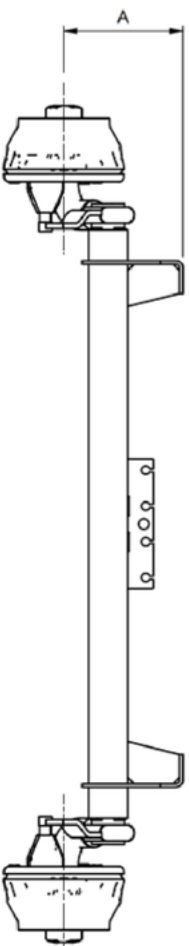
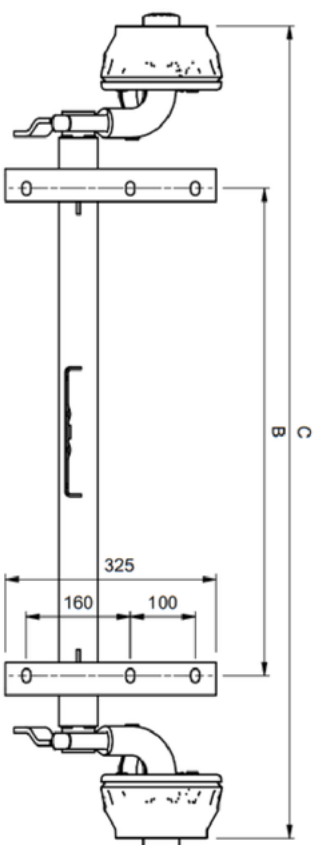
BC - Artikelcode	BC - Artikelcode omschrijving	Itemcode lev.	Wiel aansluiting	A - Trommel tot pad - mm	B - Padmaat - mm	C - Flensmaat - mm
A-075-14-150-KN-10	As - 0750kg - 1.4m - 150mm - KNOTT VG7L - 112x5	6AB031.007	112x5	150mm	750mm	1250mm
A-075-14-150-KN-11	As - 0750kg - 1.4m - 150mm - KNOTT VG7L - 100x4	6AB031.008	100x4	150mm	750mm	1250mm
A-075-14-185-KN-10	As - 0750kg - 1.4m - 185mm - KNOTT VG7L - 112x5	6AA631.006	112x5	183mm	750mm	1250mm
A-075-14-225-KN-10	As - 0750kg - 1.4m - 225mm - KNOTT VG7L - 112x5	6AC525.003	112x5	225mm	750mm	1250mm
A-075-15-150-KN-00	As - 0750kg - 1.5m - 150mm - KNOTT VG7L - 112x5	6AB031.002	112x5	150mm	800mm	1300mm
A-075-15-150-KN-01	As - 0750kg - 1.5m - 150mm - KNOTT VG7L - 100x4	6AB031.003	100x4	150mm	800mm	1300mm
A-075-15-185-KN-00	As - 0750kg - 1.5m - 185mm - KNOTT VG7L - 112x5	6AA631.002	112x5	183mm	800mm	1300mm
A-075-15-225-KN-00	As - 0750kg - 1.5m - 225mm - KNOTT VG7L - 112x5	6AC525.001	112x5	225mm	800mm	1300mm
A-075-16-150-KN-00	As - 0750kg - 1.6m - 150mm - KNOTT VG7L - 112x5	6AB031.001	112x5	150mm	900mm	1400mm
A-075-16-185-KN-00	As - 0750kg - 1.6m - 185mm - KNOTT VG7L - 112x5	6AA631.001	112x5	183mm	900mm	1400mm

Third Angle Projection	NEN-EN 10162 Cold Rolled Steel Sections Tolerances on shape and dimensions	ISO 2768-mK General Tolerances for Dimensions and Geometrical Product Specifications	ISO 14405 Geometrical Product Specifications Dimensional tolerancing	ISO 1481 Specifications for Heat Dip Coatings
Material: Generic	Treatment: Document: A-075-00-000-KN-00.dwg	Mass: 0,00 g	Scale: 1 : 8	State: Released
Edvard		Part number: A-075-00-000-KN-00		
Drawn by: Vreysen Tom		Part name: Hoofdarmen KNOTT assen VG7L		
Creation date: 23/09/2022		Revision: 01		
Old Part No.: 6AB031.002		Format: A3		
Edwards Trailer Factory - Antoine Cejar Bequereststraat 11 - 3920 Lommel België - tel: +32 (0)14820115 - www.aanhalingen-eduard.be - engineering@eduard.nl				



Table

BC - Artikelcode	BC - Artikelcode omschrijving	Itemcode lev.	Wielaansluiting	A - Trommel tot pad - mm	B - Padmaat - mm	C - Flensmaat - mm
A-100-14-150- KN-10	As - 1000kg - 1.4m - 150mm - KNOTT VGB10L - 112x5	6AB032.008	112x5	150mm	750mm	1250mm
A-100-14-150- KN-11	As - 1000kg - 1.4m - 150mm - KNOTT VGB10L - 100x4	6AB032.009	100x4	150mm	750mm	1250mm
A-100-14-185- KN-10	As - 1000kg - 1.4m - 185mm - KNOTT VGB10L - 112x5	6AA295.007	112x5	183mm	750mm	1250mm
A-100-14-225- KN-10	As - 1000kg - 1.4m - 225mm - KNOTT VGB10L - 112x5	6AC526.003	112x5	225mm	750mm	1250mm
A-100-15-120- KN-00	As - 1000kg - 1.5m - 120mm - KNOTT VGB10L - 112x5	6AC087.002	112x5	120mm	800mm	1300mm
A-100-15-150- KN-00	As - 1000kg - 1.5m - 150mm - KNOTT VGB10L - 112x5	6AB032.004	112x5	150mm	800mm	1300mm
A-100-15-150- KN-01	As - 1000kg - 1.5m - 150mm - KNOTT VGB10L - 100x4	6AB032.002	100x4	150mm	800mm	1300mm
A-100-15-185- KN-01	As - 1000kg - 1.5m - 185mm - KNOTT VGB10L - 100x4	6AA295.003	112x5	183mm	800mm	1300mm
A-100-15-225- KN-00	As - 1000kg - 1.5m - 225mm - KNOTT VGB10L - 112x5	6AC526.001	112x5	225mm	800mm	1300mm
A-100-16-120- KN-00	As - 1000kg - 1.6m - 120mm - KNOTT VGB10L - 112x5	6AC087.001	112x5	120mm	900mm	1400mm
A-100-16-150- KN-00	As - 1000kg - 1.6m - 150mm - KNOTT VGB10L - 112x5	6AB032.003	112x5	150mm	900mm	1400mm
A-100-16-185- KN-00	As - 1000kg - 1.6m - 185mm - KNOTT VGB10L - 112x5	6AA295.004	112x5	183mm	900mm	1400mm
A-100-18-120- KN-00	As - 1000kg - 1.8m - 120mm - KNOTT VGB10L - 112x5	6AC087.003	112x5	120mm	1100mm	1600mm
A-100-18-150- KN-00	As - 1000kg - 1.8m - 150mm - KNOTT VGB10L - 112x5	6AB032.007	112x5	150mm	1100mm	1600mm
A-100-18-185- KN-00	As - 1000kg - 1.8m - 185mm - KNOTT VGB10L - 112x5	6AA295.005	112x5	183mm	1100mm	1600mm

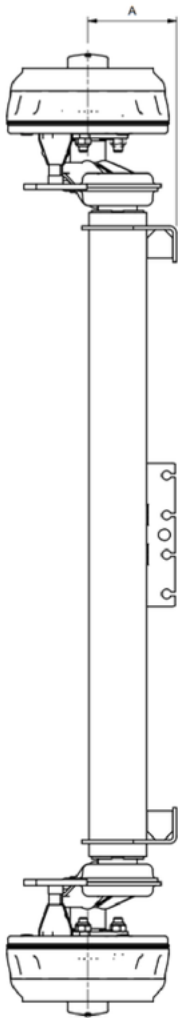
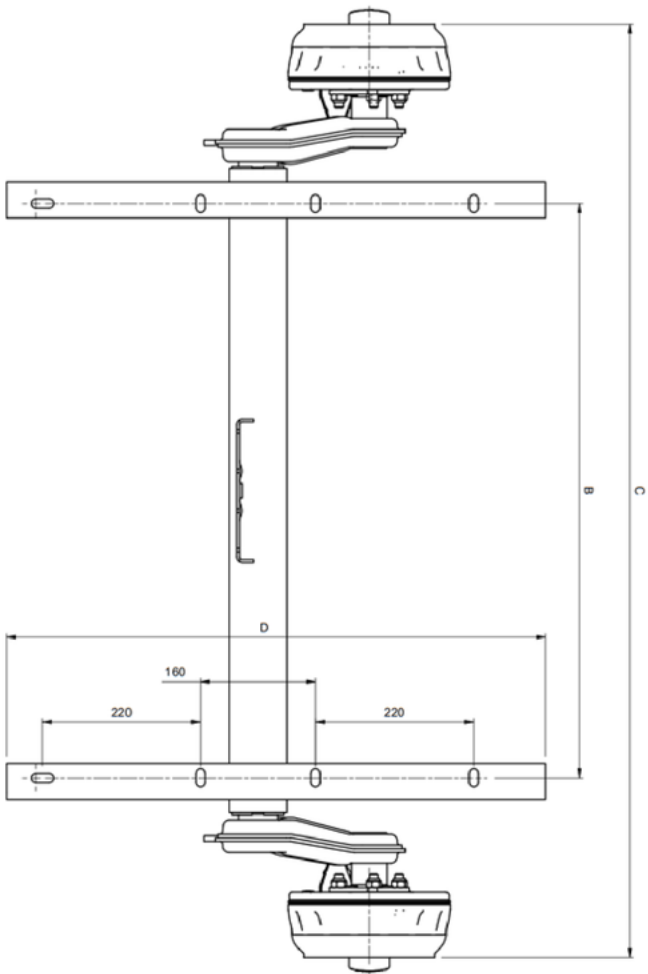



	Third Angle Projection		ISO 10152		ISO 2768-mK		ISO 14405		ISO 1461
	General Tolerances for Dimensions and Geometrical Product Specifications (unless otherwise specified)		General Tolerances for Dimensions and Geometrical Product Specifications (unless otherwise specified)		General Tolerances for Dimensions and Geometrical Product Specifications (unless otherwise specified)				
		Edvard		Edvard		Edvard		Edvard	
Drawn by: Sven Decabooter Creation date: 5/12/2022 Old Part No.:		Part number A-100-00-000-KN-00		Part name Hoofdmateningen KNOTT assen VGB10L		Scale: 1 : 8 State: Released		Revision 01 Format A3	
Eduard's Trailer Factory - Antwerp César Bequaertstraat 11 - 3920 Lommel België - tel. +32 (0)4820115 - www.aanhangwagens-eduard.be - engineering@eduard.nl									

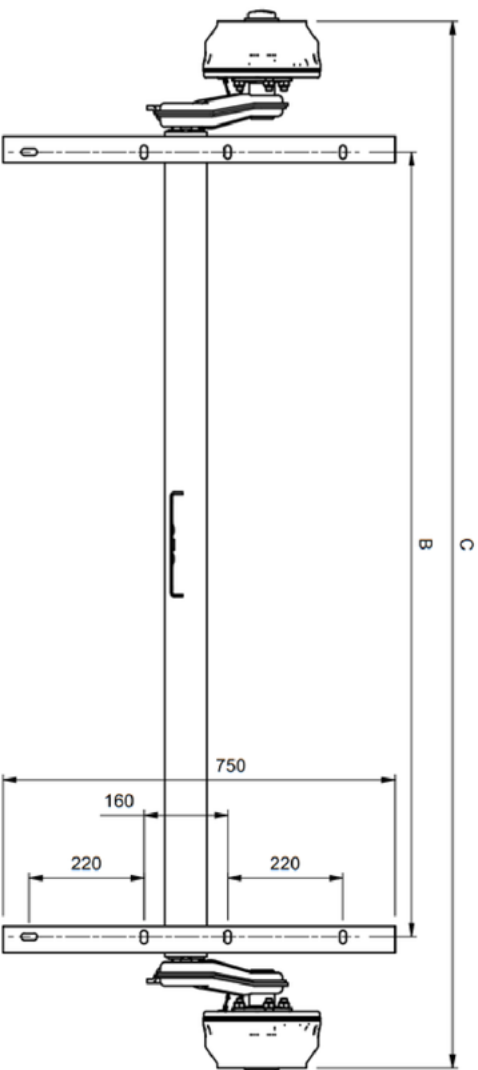
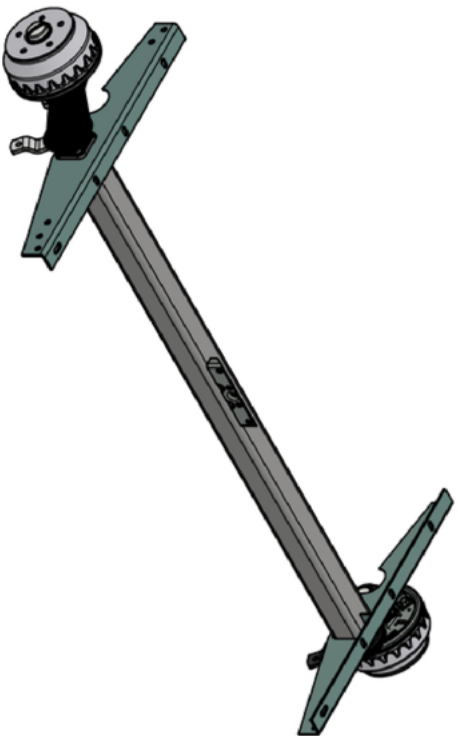


Table

BC - Artikelcode	BC - Artikelcode omschrijving	Itemcode kw.	Wekansluiting	A - Trommel tot pad - mm	B - Padnaal - mm	C - Pensnaal - mm	D - Lengte asped - mm
A-135-14-120- KN-10	As - 1350kg - 1.4m - 120mm - KNOTT VGB13M - 112x5	6AC086.007	112x5	123mm	750mm	1250mm	750mm
A-135-14-150- KN-10	As - 1350kg - 1.4m - 150mm - KNOTT VGB13M - 112x5	6A9780.009	112x5	150mm	750mm	1250mm	750mm
A-135-14-185- KN-10	As - 1350kg - 1.4m - 185mm - KNOTT VGB13M - 112x5	6A9861.107	112x5	185mm	750mm	1250mm	750mm
A-135-15-120- KN-00	As - 1350kg - 1.5m - 120mm - KNOTT VGB13M - 112x5	6AC086.001	112x5	123mm	800mm	1300mm	750mm
A-135-15-120- KN-01	As - 1350kg - 1.5m - 120mm asped - 112x5	6A9892.900	112x5	123mm	800mm	1300mm	512.5mm
A-135-15-150- KN-00	As - 1350kg - 1.5m - 150mm - KNOTT VGB13M - 112x5	6A9780.001	112x5	150mm	800mm	1300mm	750mm
A-135-15-150- KN-01	As - 1350kg - 1.5m - 150mm - KNOTT VGB13M - 112x5	6AC976.001	112x5	150mm	800mm	1300mm	512.5mm
A-135-15-185- KN-00	As - 1350kg - 1.5m - 185mm - KNOTT VGB13M - 112x5	6A9861.103	112x5	185mm	800mm	1300mm	750mm
A-135-15-185- KN-01	As - 1350kg - 1.5m - 185mm - KNOTT VGB13M - 112x5 asped - 112x5	6AC977.001	112x5	185mm	800mm	1300mm	512.5mm
A-135-16-120- KN-00	As - 1350kg - 1.6m - 120mm - KNOTT VGB13M - 112x5	6AC086.002	112x5	123mm	900mm	1400mm	750mm
A-135-16-120- KN-00	As - 1350kg - 1.6m - 120mm - KNOTT VGB13M - 112x5	6A9780.003	112x5	150mm	900mm	1400mm	750mm
A-135-16-150- KN-00	As - 1350kg - 1.6m - 150mm - KNOTT VGB13M - 112x5	6A9861.102	112x5	185mm	900mm	1400mm	750mm
A-135-16-185- KN-00	As - 1350kg - 1.6m - 185mm - KNOTT VGB13M - 112x5	6A9780.005	112x5	150mm	1100mm	1600mm	750mm
A-135-16-185- KN-00	As - 1350kg - 1.8m - 185mm - KNOTT VGB13M - 112x5	6A9861.101	112x5	185mm	1100mm	1600mm	750mm
A-135-20-120- KN-00	As - 1350kg - 2.0m - 120mm - KNOTT VGB13M - 112x5	6AC086.004	112x5	123mm	1300mm	1800mm	750mm
A-135-20-120- KN-01	As - 1350kg - 2.0m - 120mm asped - 112x5	6A9892.904	112x5	123mm	1300mm	1800mm	512.5mm
A-135-20-150- KN-00	As - 1350kg - 2.0m - 150mm - KNOTT VGB13M - 112x5	6A9780.004	112x5	150mm	1300mm	1800mm	750mm
A-135-20-150- KN-01	As - 1350kg - 2.0m - 150mm - KNOTT VGB13M - 112x5 asped - 112x5	6AC976.005	112x5	150mm	1300mm	1800mm	512.5mm
A-135-20-185- KN-00	As - 1350kg - 2.0m - 185mm - KNOTT VGB13M - 112x5	6A9861.104	112x5	185mm	1300mm	1800mm	750mm
A-135-22-120- KN-01	As - 1350kg - 2.2m - 120mm - KNOTT VGB13M - 112x5 asped - 112x5	6A9892.905	112x5	123mm	1500mm	2000mm	512.5mm
A-135-22-150- KN-00	As - 1350kg - 2.2m - 150mm - KNOTT VGB13M - 112x5	6A9780.006	112x5	150mm	1500mm	2000mm	750mm
A-135-22-150- KN-01	As - 1350kg - 2.2m - 150mm - KNOTT VGB13M - 112x5 asped - 112x5	6AC976.006	112x5	150mm	1500mm	2000mm	512.5mm

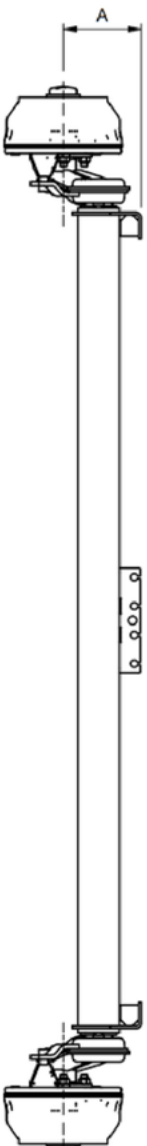


	Type: HOOFDSTAPLETOEGEVOEGD Code: 13500000000000000000 Reproductie: 13500000000000000000 Toelichting: 13500000000000000000	Norm: ISO 2788-01K Norm: ISO 14455 Norm: ISO 1441
	Document: A-135-00-000-KN-00 Document: A-135-00-000-KN-00 Document: A-135-00-000-KN-00	Material: Staal Material: Staal Material: Staal
Drukker: Huibert de Vos Creadion date: 20/04/2021 OIR Part No.: A-135-00-000-KN-00	Hoofdstapletoegevoegd Hoofdstapletoegevoegd Hoofdstapletoegevoegd	Status: Released Status: Released Status: Released
Formaat: A2	Formaat: A2	Formaat: A2

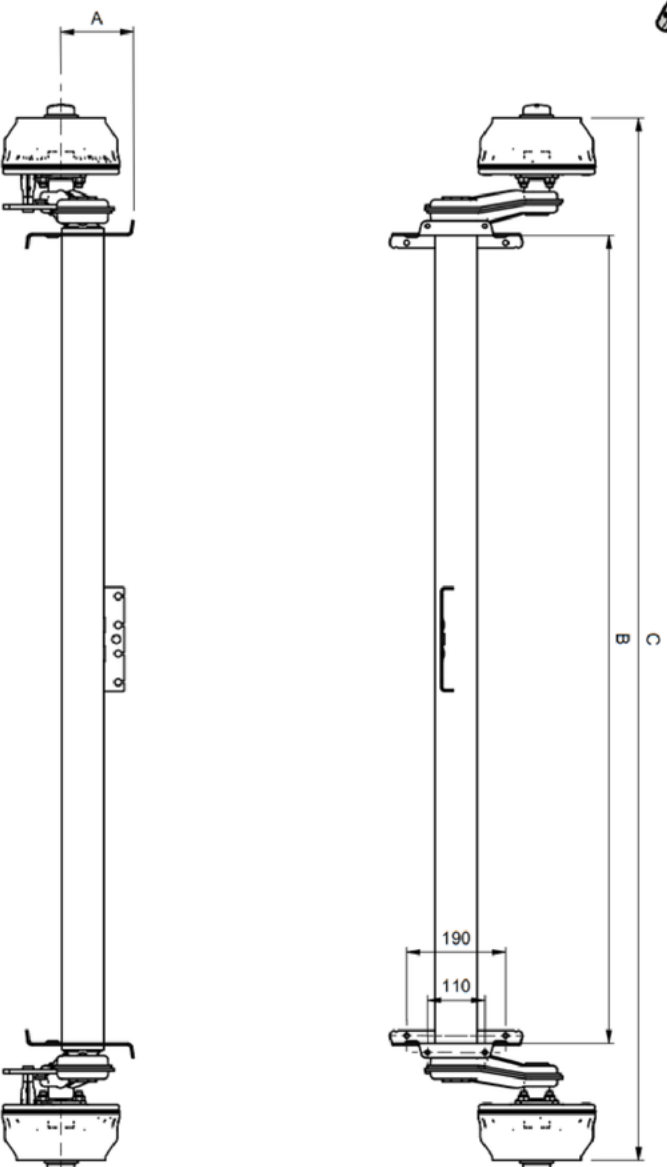
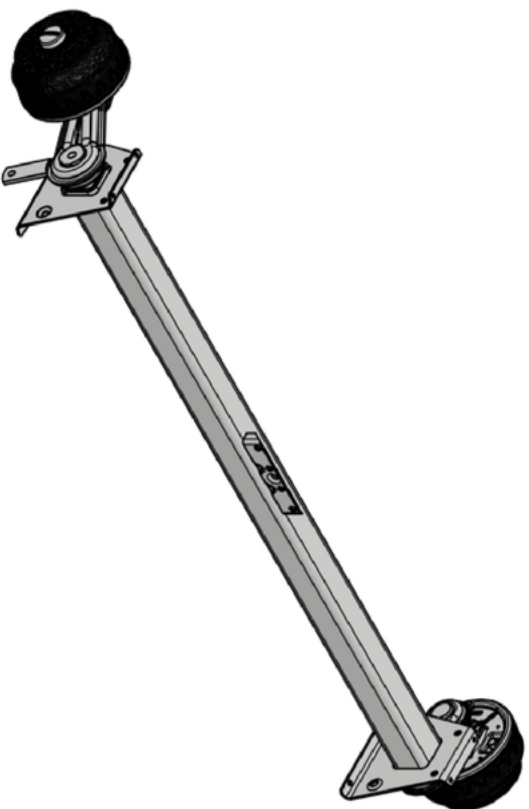


Table

BC - Artikelcode	BC - Artikelcode omschrijving	Itemcode lev.	Wiel aansluiting	A - Trommel tot pad - mm	B - Padmaat - mm	C - Flensmaat - mm
A-150-14-185-KN-10	As - 1500kg - 1,4m - 185mm - KNOTT VGB15M - 112x5	6AC652.003	112x5	185mm	750mm	1250mm
A-150-15-120-KN-00	As - 1500kg - 1,5m - 120mm - KNOTT VGB15M - 112x5	6AC000.001	112x5	123mm	800mm	1300mm
A-150-15-150-KN-00	As - 1500kg - 1,5m - 150mm - KNOTT VGB15M - 112x5	6A4723.001	112x5	150mm	800mm	1300mm
A-150-15-185-KN-00	As - 1500kg - 1,5m - 185mm - KNOTT VGB15M - 112x5	6AC652.001	112x5	185mm	800mm	1300mm
A-150-16-120-KN-00	As - 1500kg - 1,6m - 120mm - KNOTT VGB15M - 112x5	6AC000.002	112x5	123mm	900mm	1400mm
A-150-16-150-KN-00	As - 1500kg - 1,6m - 150mm - KNOTT VGB15M - 112x5	6A4723.002	112x5	150mm	900mm	1400mm
A-150-18-120-KN-00	As - 1500kg - 1,8m - 120mm - KNOTT VGB15M - 112x5	6AC000.003	112x5	123mm	1100mm	1600mm
A-150-18-150-KN-00	As - 1500kg - 1,8m - 150mm - KNOTT VGB15M - 112x5	6A4723.003	112x5	150mm	1100mm	1600mm
A-150-20-120-KN-00	As - 1500kg - 2,0m - 120mm - KNOTT VGB15M - 112x5	6AC000.004	112x5	123mm	1300mm	1800mm
A-150-20-150-KN-00	As - 1500kg - 2,0m - 150mm - KNOTT VGB15M - 112x5	6A4723.004	112x5	150mm	1300mm	1800mm
A-150-22-120-KN-00	As - 1500kg - 2,2m - 120mm - KNOTT VGB15M - 112x5	6AC000.005	112x5	123mm	1500mm	2000mm
A-150-22-150-KN-00	As - 1500kg - 2,2m - 150mm - KNOTT VGB15M - 112x5	6A4723.005	112x5	150mm	1500mm	2000mm



				Third Angle Projection Cold Rolled Steel Sections Tolerances on shape and dimensions	General Tolerances for Dimensions and Geometry unless otherwise specified	Geometrical Product Specifications Dimensional tolerancing	Specifications for Hot Dip Galvanized Coatings
				NEN-EN 10162	ISO 2768-mK	ISO 14405	ISO 1481
				Material : Generic			
Treatment :				Mass : 0,00 g			
Document : A-150-00-000-KN-00 lidw				Scale : 1 : 12			
Part number				State: Released			
Drawn by : Sven Decabooter				Revision			
Creation date : 5/12/2022				01			
Old Part No :				Format			
Eduard Trailer Factory - Antwerp Cisaar Bequaerestraat 11 - 3920 Lommel België - tel. +32 (0)48201115 - www.aanhangwagens-eduard.be - engineering@eduard.nl				Hooftafmetingen KNOTT assen VGB15M			
A-150-00-000-KN-00				A3			

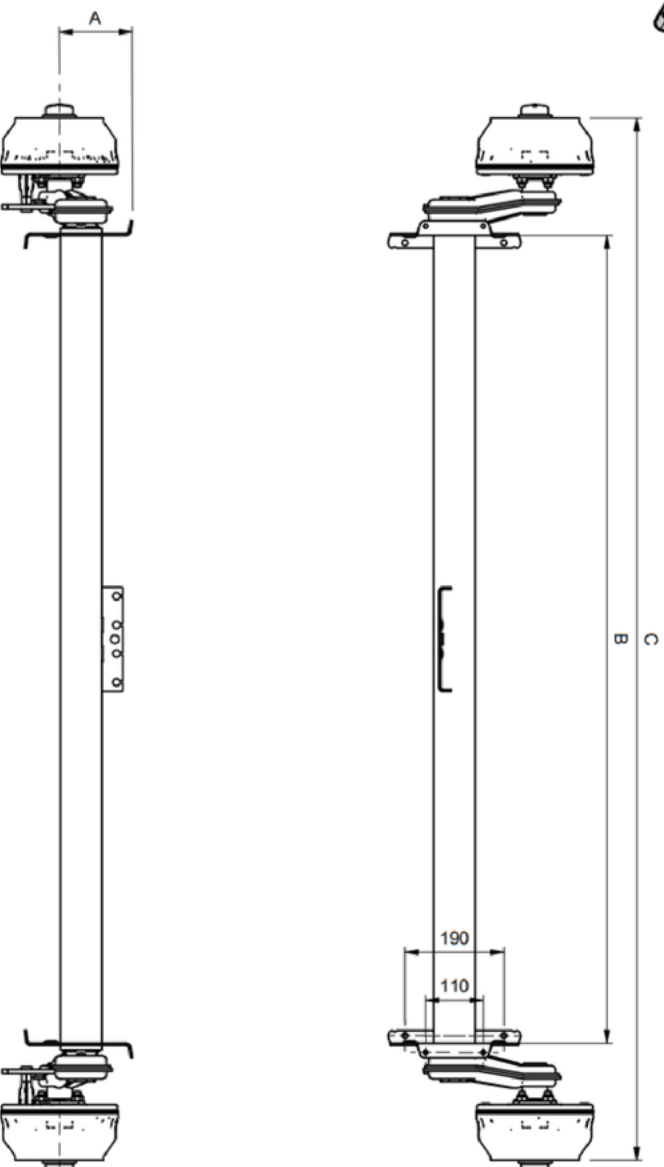
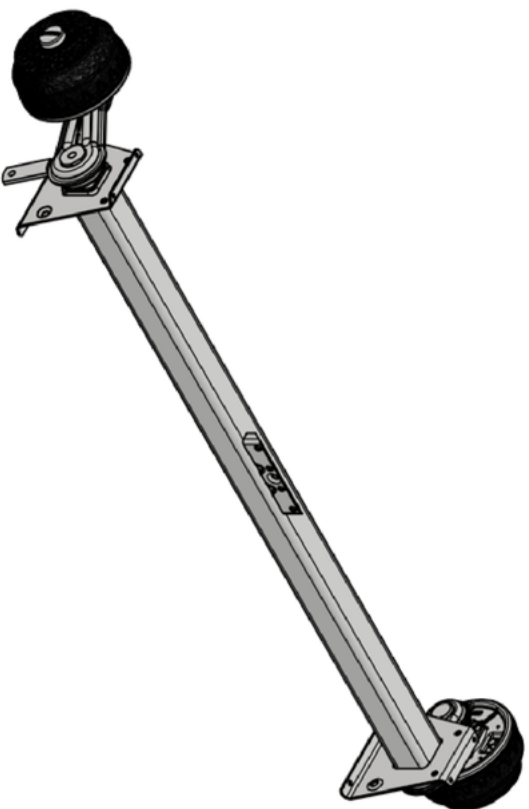


Table

BC - Artikelcode	BC - Artikelcode omschrijving	Itemcode lev.	Wiel aansluiting	A - Trommel tot pad - mm	B - Padmaat - mm	C - Flensmaat - mm
A-150-20-150- KN-20	As - 15000kg - 2,0m - 150mm - KNOTT VGB15L - 112x5	6AB344.001	112x5	145mm	1350mm	1800mm
A-150-22-150- KN-20	As - 15000kg - 2,2m - 150mm - KNOTT VGB15L - 112x5	6AB344.002	112x5	145mm	1550mm	2000mm
A-150-24-150- KN-20	As - 15000kg - 2,4m - 150mm - KNOTT VGB15L - 112x5	6AB344.003	112x5	145mm	1750mm	2200mm

Third Angle Projection	NEN-EN 10162	ISO 2768-mK	ISO 14405	ISO 14661
Code Rolled Steel Sections	General Tolerances for Dimensions and Geometry unless otherwise specified	Geometrical Product Specifications (Geometrical Tolerancing)	Hot Dip Galvanized Coatings	
Tolerances on shape and dimensions				
Material : Generic	Treatment : Document : A-150-00-000-KN-20.dwg	Mass : 0,00 g	Scale : 1 : 10	State: Released
Part number	A-150-00-000-KN-20		Revision	01
Part name	Hooofdmetingen KNOTT assen VGB15MW		Format	A3
Drawn by : Sven Decabooter	Eduard's Trailer Factory - Antone César Baocquerelstraat 11 - 3920 Lommel België - tel: +32 (0)14820115 - www.aanhangwagens-eduard.be - engineering@eduard.nl			
Creation date : 5/12/2022				
Old Part No. :				

Eduard



Table

BC - Artikelcode	BC - Artikelcode omschrijving	Itemcode lev.	Wiel aansluiting	A - Trommel tot pad - mm	B - Padmaat - mm	C - Flensmaat - mm
A-150-20-150-KN-20	As - 1500kg - 2,0m - 150mm - KNOTT VGB15L - 112x5	6AB344.001	112x5	145mm	1350mm	1800mm
A-150-22-150-KN-20	As - 1500kg - 2,2m - 150mm - KNOTT VGB15L - 112x5	6AB344.002	112x5	145mm	1550mm	2000mm
A-150-24-150-KN-20	As - 1500kg - 2,4m - 150mm - KNOTT VGB15L - 112x5	6AB344.003	112x5	145mm	1750mm	2200mm

Third Angle Projection	NEN-EN 10162	ISO 2768-mK	ISO 14405	ISO 14571
God Rolled Steel Sections	General Tolerances for Dimensions and Geometrical Product Specifications	General Tolerances for Dimensions and Geometrical Product Specifications	Hot Dip Galvanized Coatings	Specifications for Dimensional Tolerancing
Tolerances on shapes and dimensions				

Edvard

Drawn by : Sven Decabooter

Creation date : 5/12/2022

Old Part No. :

Document : A-150-00-000-KN-20.dwg

Treatment : State: Released

Part number

A-150-00-000-KN-20

Part name

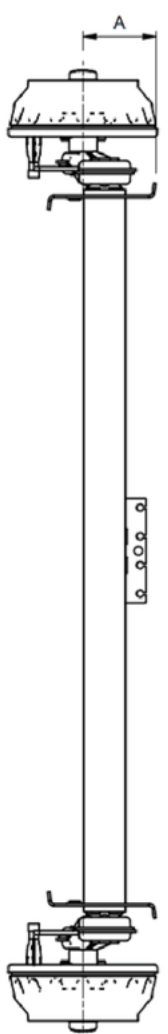
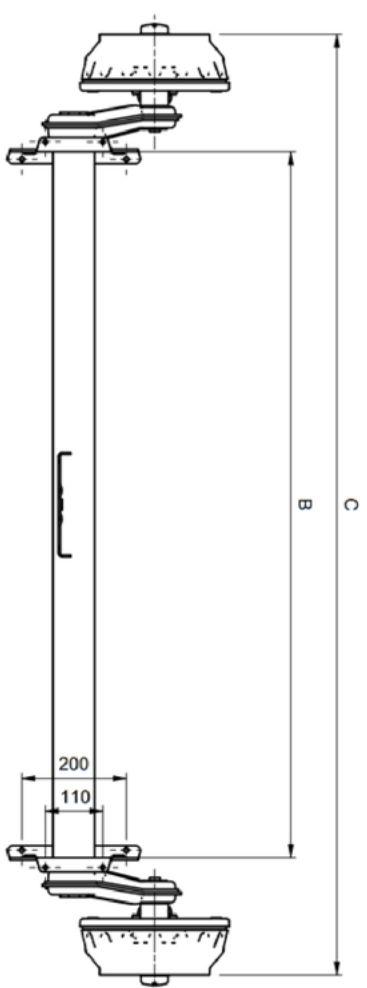
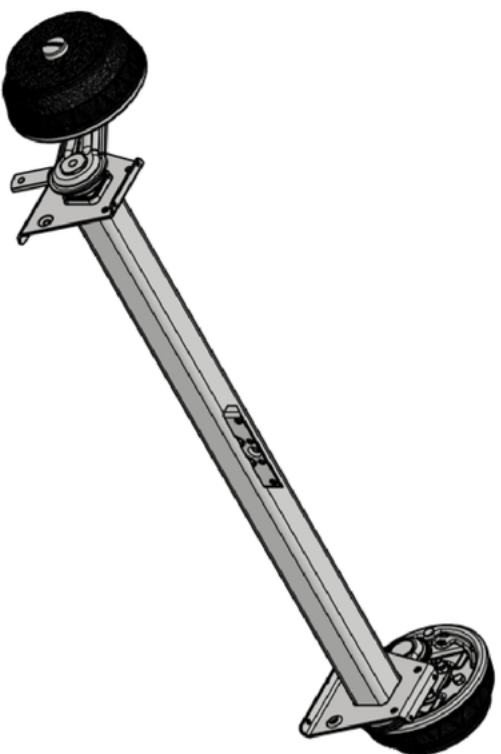
Hoodafmetingen KNOTT assen VGB15MW

Revision

01

Format

A3



Table

BC - Artikelcode	BC - Artikelcode omschrijving	Itemcode lev.	Wielansluiting	A - Trommel tot pad - mm	B - Padmaat - mm	C - Flensmaat - mm
A-180-20-150- KN-00	As - 1800kg - 2.0m - 150mm - KNOTT VGB18MV - 112x5	6A9871.002	112x5	145mm	1350mm	1800mm
A-180-22-150- KN-20	As - 1800kg - 2.2m - 150mm - KNOTT VGB18MV - 112x5	6A9871.001	112x5	145mm	1550mm	2000mm
A-180-24-150- KN-20	As - 1800kg - 2.4m - 150mm - KNOTT VGB18MV - 112x5	6A9871.003	112x5	145mm	1750mm	2200mm

Third Angle Projection	NEN-EN 10162	ISO 2768-mK	ISO 14405	ISO 1461
Code Related Size Symbols	General Tolerances for Dimensions and Geometrical Product Specifications	General Tolerances for Dimensions and Geometrical Product Specifications	Hot Dip Galvanizing	Specifications for Coatings
Tolerances in Microns and Dimensions	Material : Generic	Treatment :	Mass : 0,00 g	Units : mm
	Scale : 1 : 10	State : Released		

Eduard

Drawn by : Hubert de Vos

Creation date : 29/04/2021

Old Part No. :

Document : A-180-00-000-KN-20.idw	Part number	Revision
	A-180-00-000-KN-20	01
	Part name	Formal
	Hooftafmetingen KNOTT assen VGB18MV	A3

Eduard Trailer Factory - Andries César Bequereelstraat 11 - 3920 Lommel België - tel. +32 (0)14820115 - www.aanhangwagens-eduard.be - engineer@eduard.nl