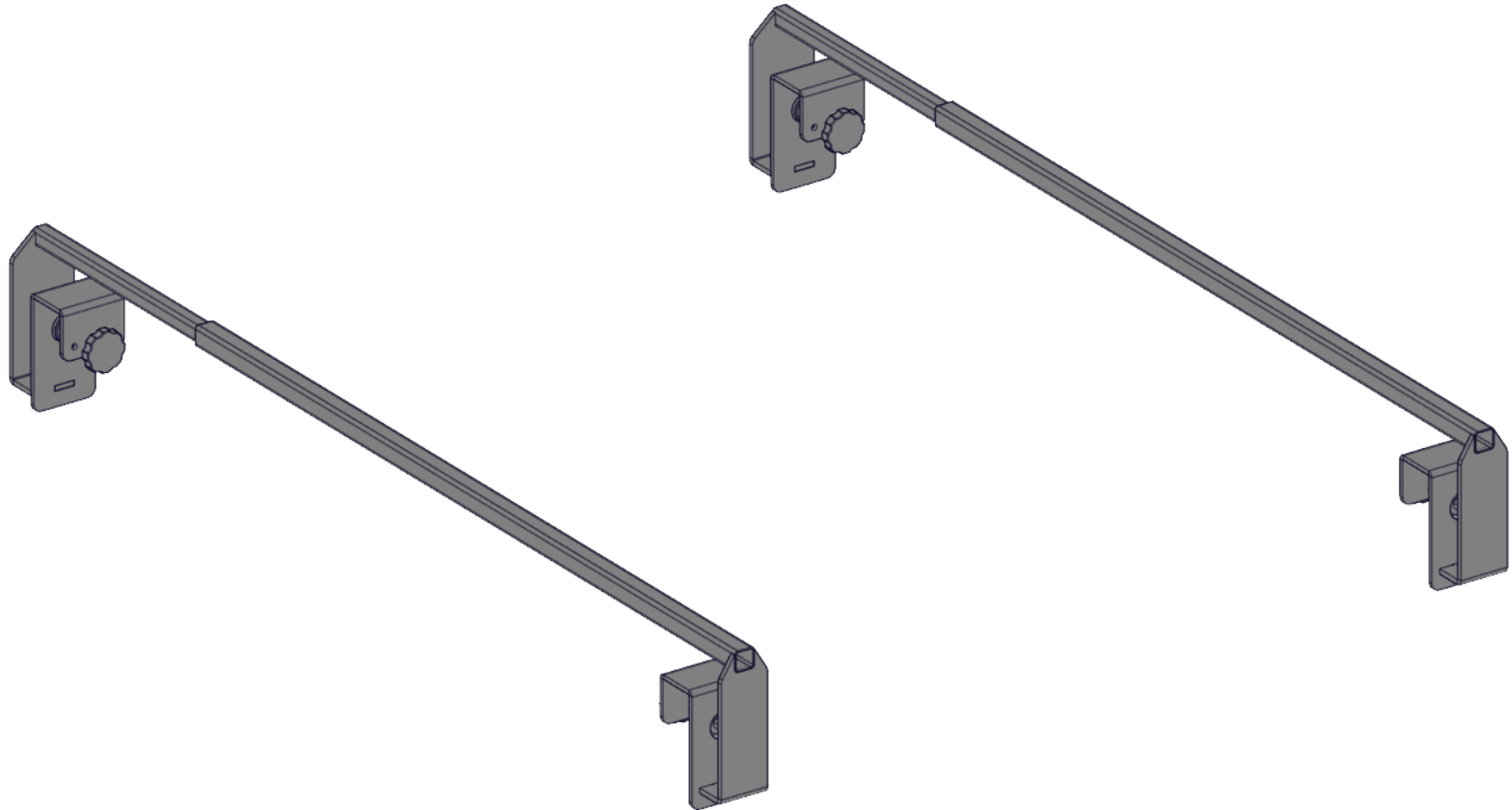
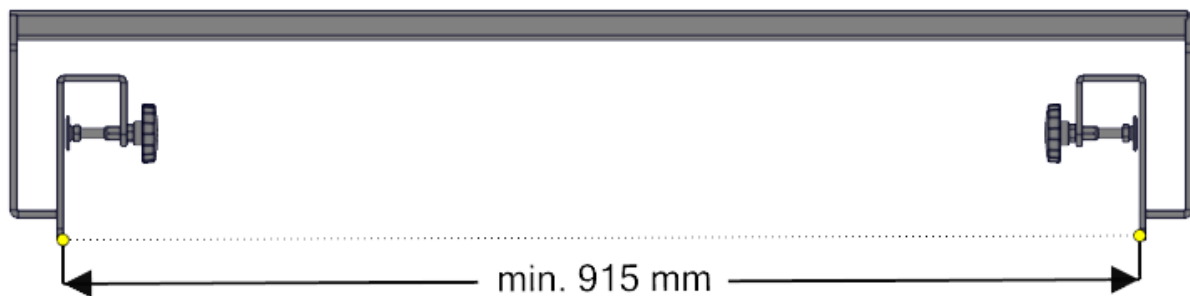


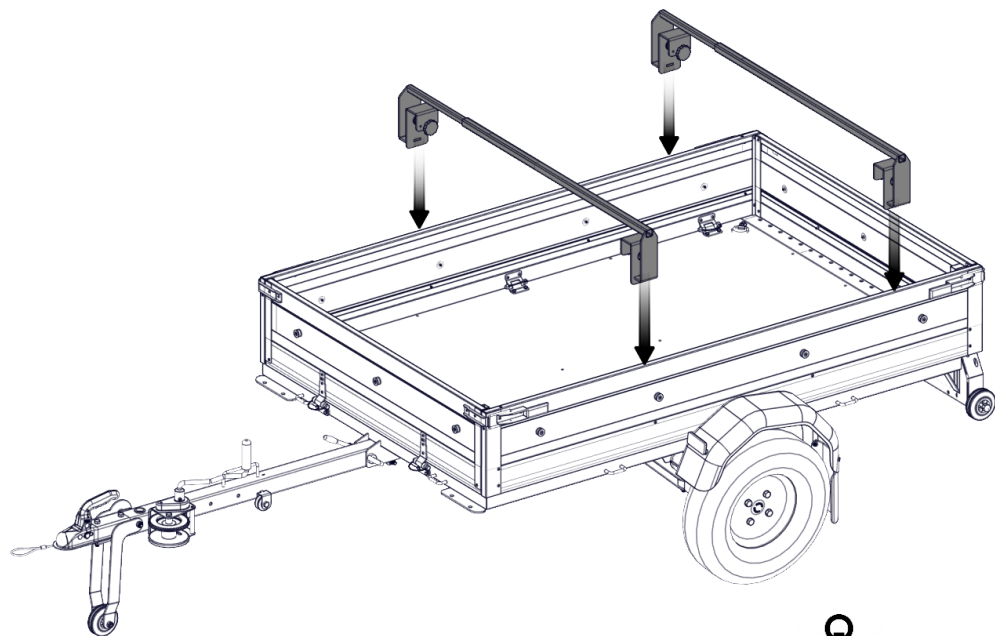
Installation manual :

W1-143922

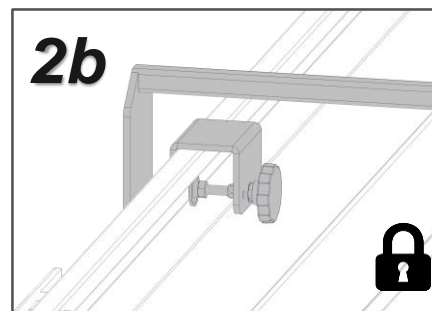
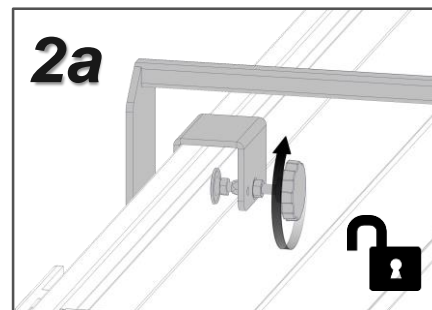
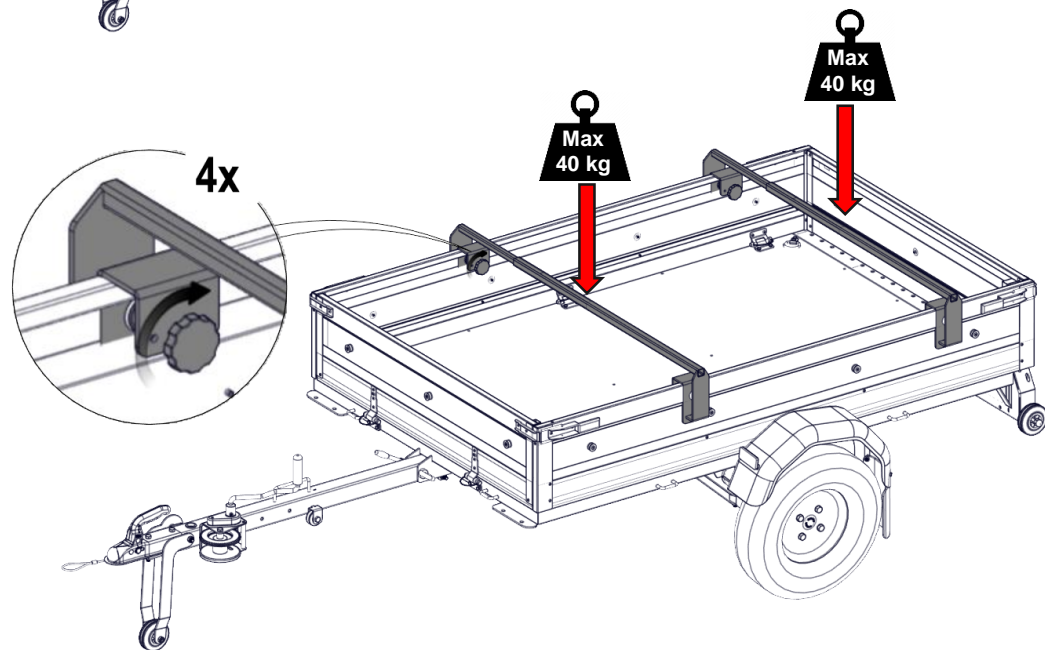




1

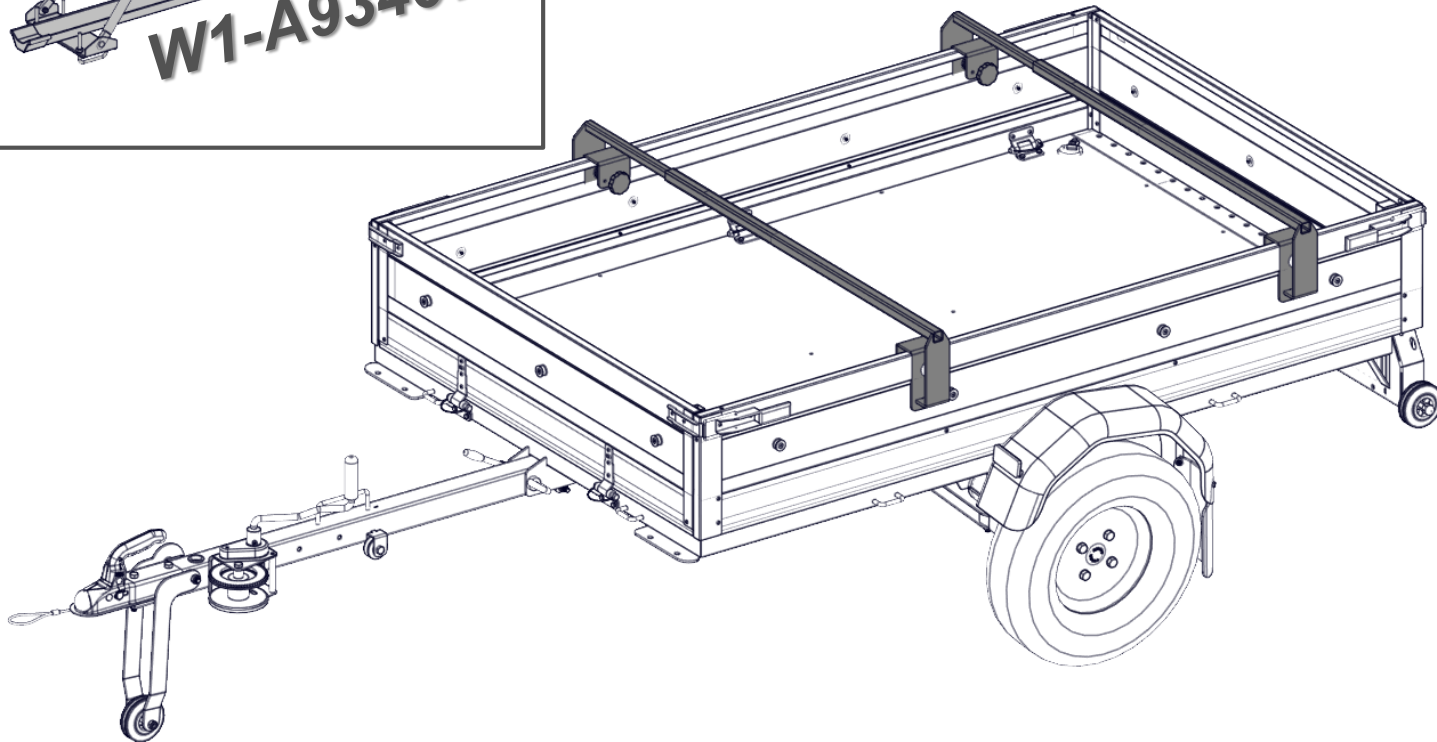
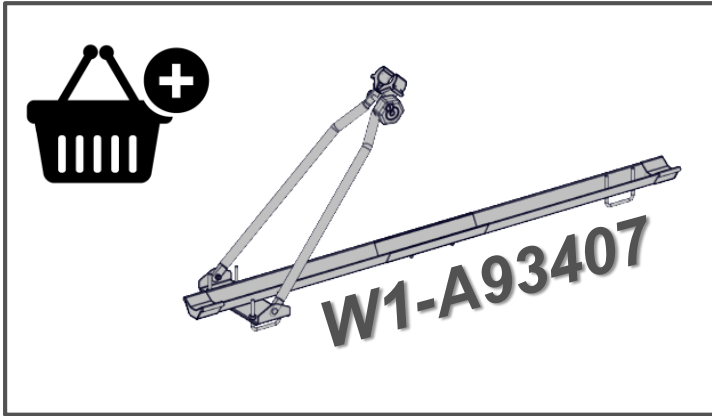


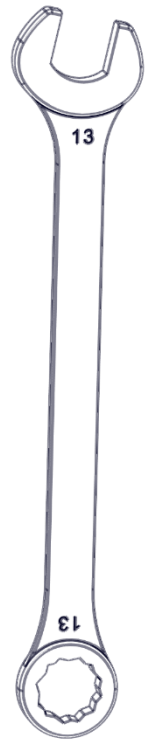
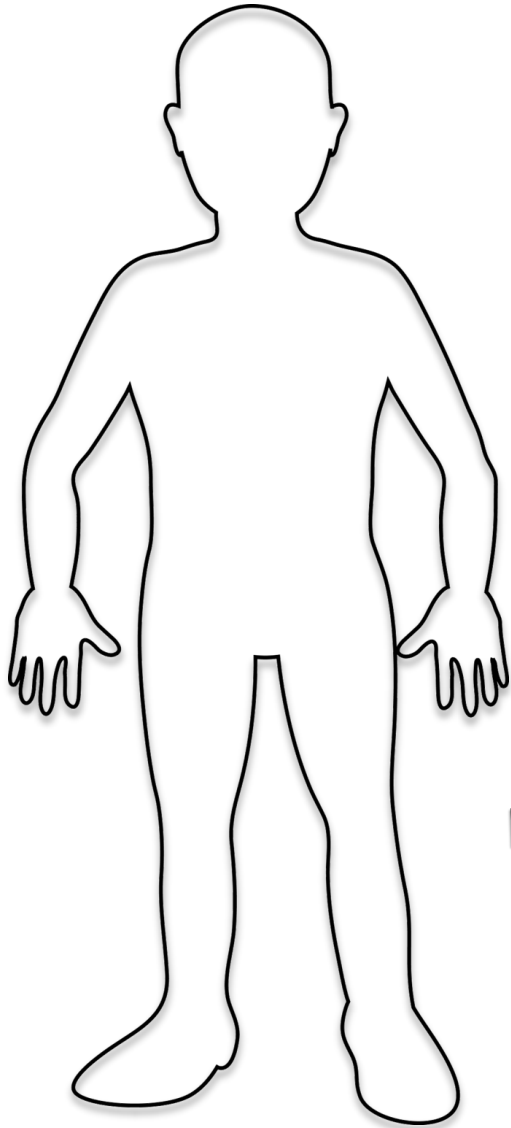
2



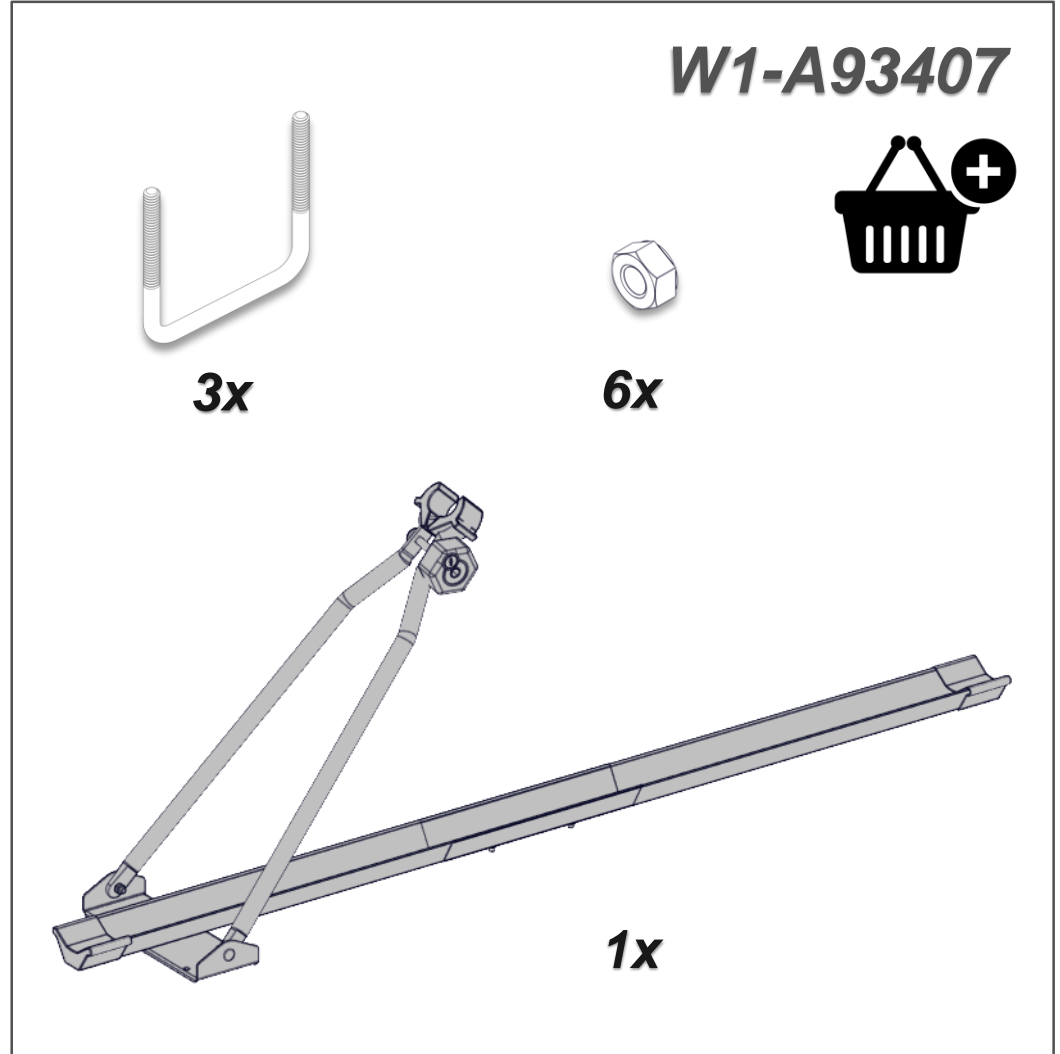
3

Installation manual : **W1-143922 + W1-A93407**





Wrench 13



W1-A93407

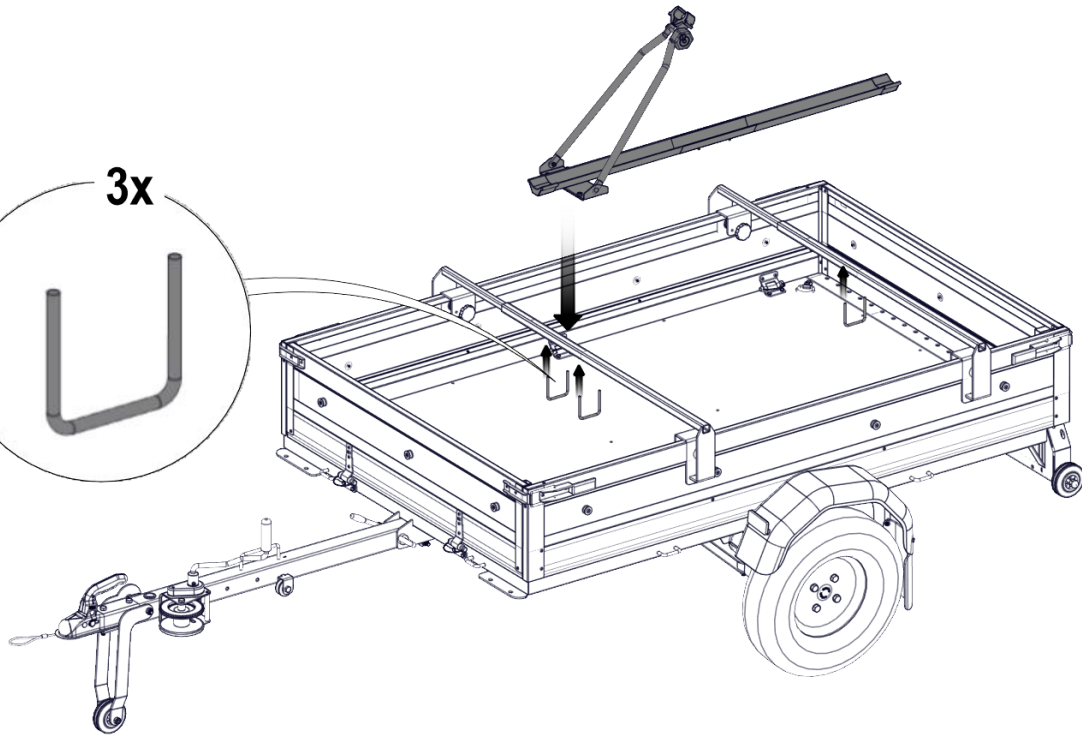
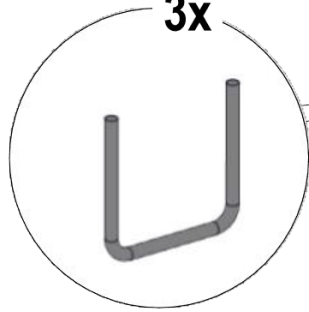


3x

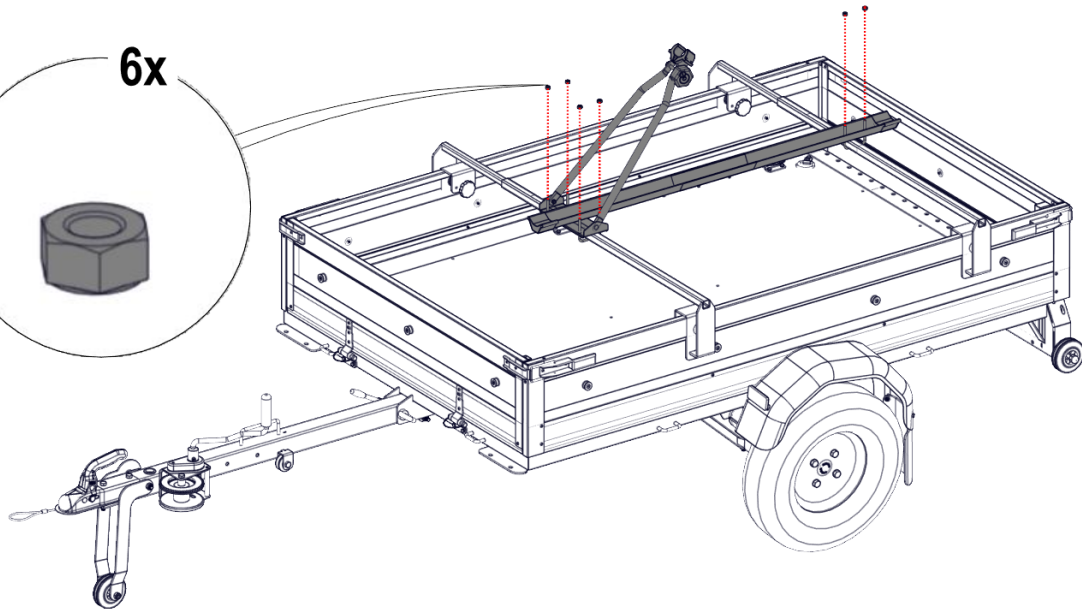
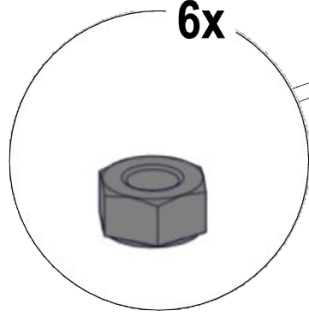
6x

1x

1



2



3

